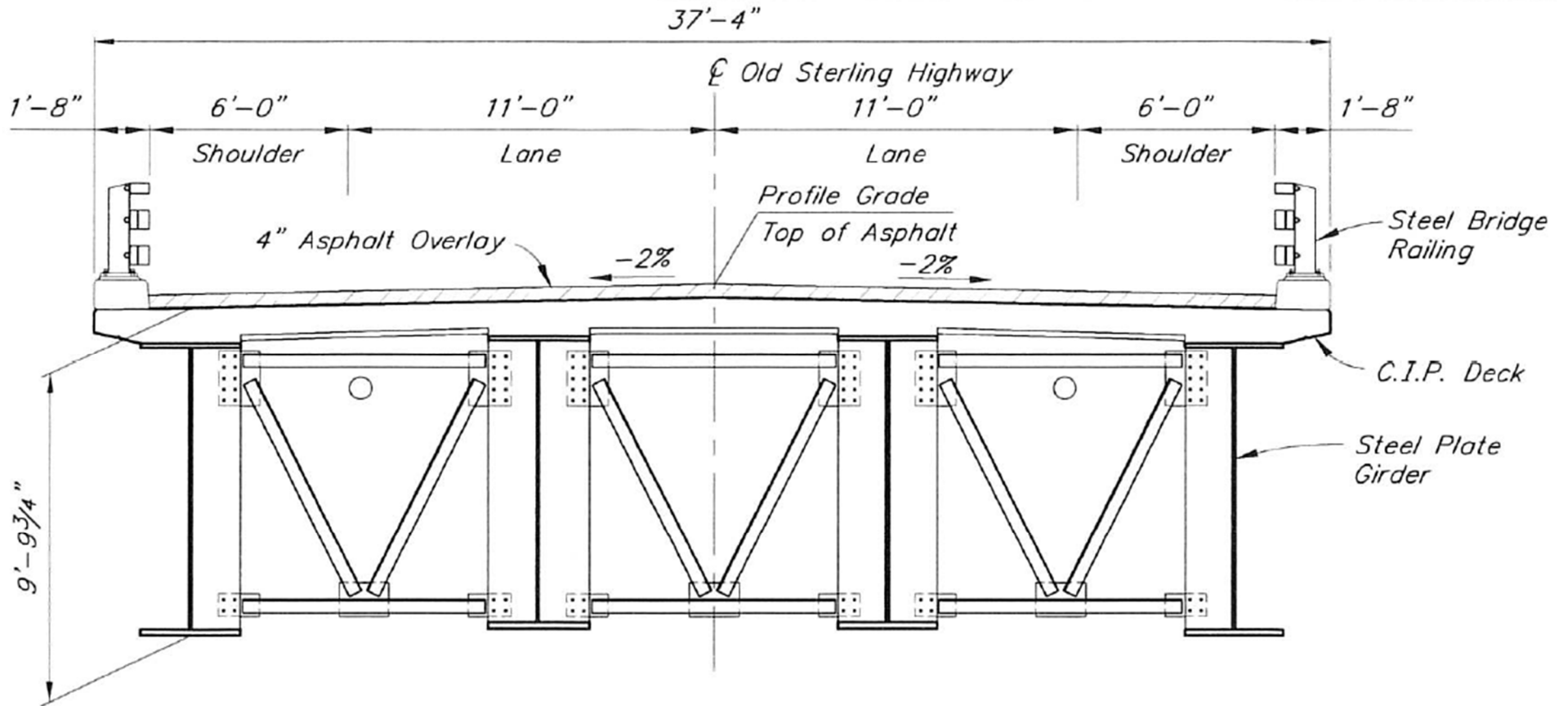


OLD STERLING HWY: ANCHOR RIVER BRIDGE REPLACEMENT
 PROJECT CFHWY00163
 BRIDGE #910



TYPICAL SECTION

